

Data Sheet Undersill Trunking, sheet steel BRS-F

Tested and certificated according to: DIN EN 50085 (VDE 0604 part 1)

stand: 09.2024

Properties:

Material:	Galvanised sheet steel (sendzimir or elo-galvanised) powder-coated, optionally with PVC cover
Operation temperature:	is limited by the cable used
Processing temperature:	arbitrary
Fire behaviour:	non flammable
Colour:	RAL 9001 white (on request) RAL 9010 pure white (see table) other colours on request
Delivery lengths:	2.000 mm trunking base (see table) 2.000 mm cover (art.no. 80004) separately ground connector for cover (art.no. 30080)

Specific features:

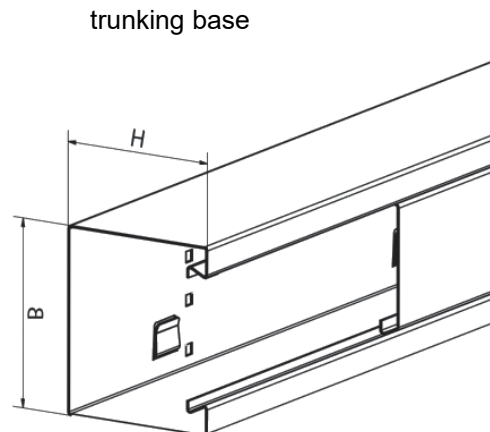
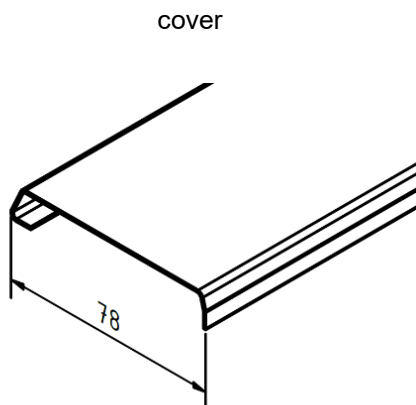
- with base perforations at 250 mm intervals for fastening to fixed structures or partially free-standing for fastening to brackets.
- Hole pattern matched to brackets. Bracket fastening on the wall side only with washer (\varnothing outside 23.5 mm and 1.7 mm thick)
- hole pattern synchronised on brackets, bottom flaps for fastening dividers
- designed for front-mounted socket boxes and carriers
- couplers serve as mechanical and electrical connection (potential equalisation)
- For all trunking dimensions outside corners, inside corners, flat corners, t-pieces and endcaps are available
- For accessories and further information please visit our homepage www.licatec.de.

Type	height (H)	width (W)			
		110	130	170	200
BRS-F	72	11374*	13374*	17374*	20374
	93**	11395	13395	17395	20395*
cover	steel	80004			
cover	PVC	80002			
number of dividers (max.)		1	1	2	2

*) VDE-certified
**) only on request



RoHS
konform



Undersill Trunking BRS-F