

Data Sheet Control Panel Trunking F2000

Tested and certificated according to: VDE 0604 2-3 EN 50085-2-3
Underwriter Laboratories

stand: 09.2024

The Control Panel Trunking F 2000 is extrusion-made out of rigid- PVC and will be punched.

Characteristic:

Material:	rigid-PVC lead-, silicon- and cadmium-free (RoHS conform)		
Operation temperature:	-25°C...+60°C		
working temperature:	>0°C		
Fire behaviour:	hard to inflame	DIN 4102	Level B1
	Self-extinguishing	UL94	V0
	Fire load		5,2 kWh/kg
Dielectric strength:	>30kV/mm		
UV resistance:	PVC is conditionally permanent to UV-light, changes in colour under UV-light cannot be excluded		
Colour:	RAL 7030 gray		
Delivery length:	2.000 mm with cover		

Special property:

- Cover contour 90°
- Ideal fit of cover, easy assembly and disassembly
- Smooth fingers – will not hurt the installer or damage the cables
- Cable hold-back noses from installation height 60 mm onwards
- Web Thickness 5,5 mm; slot width 4,5 mm
- Notch points at the slides
- Perforated base according to DIN 50085-2-3, identical punch picture for each length
- 3- lanes hole pattern starts at width 80 mm
- Attachments and more information's you will find under www.licatec.de



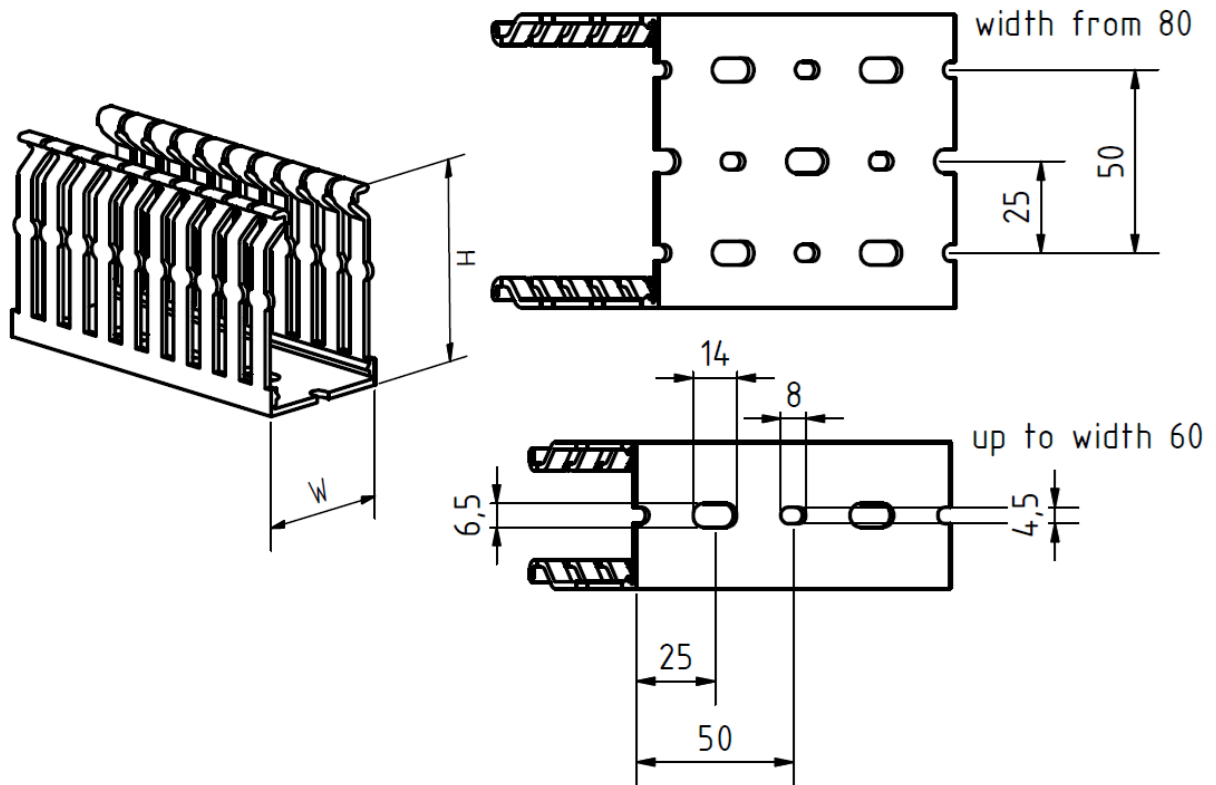
Data Sheet Control Panel Trunking F2000

Tested and certificated according to: VDE 0604 2-3 EN 50085-2-3
Underwriter Laboratories

stand: 09.2024

Dimension:

F 2000	Height (H) in mm	Width (W) in mm							
		25	30	40	60	80	100	120	150
	30		7308-1						
	40	7309-1	7310-1	7311-1	7312-1				
	60	7319-1	7320-1	7321-1	7322-1	7323-1	7324-1	7325-1	
	80	7329-1	7330-1	7331-1	7332-1	7333-1	7334-1	7325-1	
	100		7340-1	7343-1	7341-1	7344-1	7342-1		7345-1
	120			7351-1	7352-1	7353-1			



RoHS
konform