

## Data Sheet Control Panel Trunking DIN

Tested and certificated according to: VDE 0604 2-3 EN 50085-2-3  
Underwriter Laboratories

stand: 09.2024

The Control Panel Trunking DIN is extrusion-made out of rigid- PVC and will be punched.

### Characteristic:

Material:	rigid-PVC lead-, silicon- and cadmium-free (RoHS conform)		
Operation temperature:	-25°C...+60°C		
working temperature:	>0°C		
Fire behaviour:	hard to inflame	DIN 4102	Level B1
	Self-extinguishing	UL94	V0
	Fire load		5,2 kWh/kg
Dielectric strength:	>30kV/mm		
UV resistance:	PVC is conditionally permanent to UV-light, changes in colour under UV-light can not be excluded		
Colour:	RAL 7030 gray		
Delivery length:	2.000 mm with cover		

### Special property:

- Cover contour 90°
- Ideal fit of cover, easy assembly and disassembly
- Smooth fingers – will not hurt the installer or damage the cables
- Cable hold-back noses from installation height 75 mm onwards
- Web Thickness 7,5 mm; slot width 5 mm
- Notch points at the slides
- Perforated base according to DIN 50085-2-3, identical punch picture for each length
- 3- lanes hole pattern starts at width 75 mm
- Self-adhesive tape as retaining aid on the bottom of the trunking
- Attachments and more information's you will find under [www.licatec.de](http://www.licatec.de)



**Data Sheet Control Panel Trunking DIN**

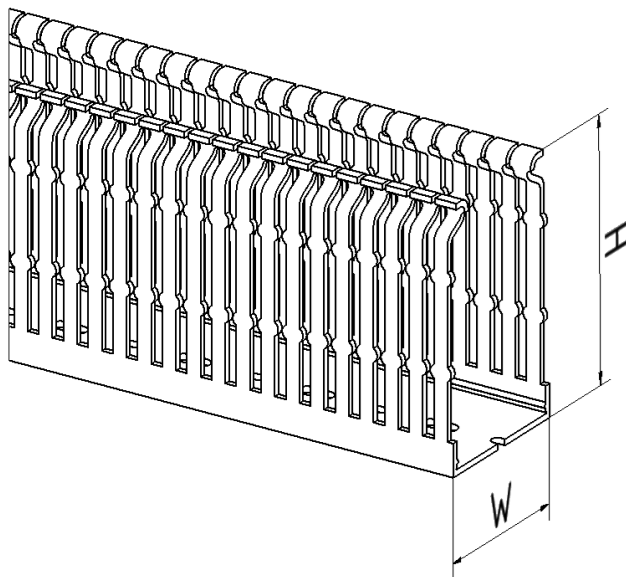
Tested and certificated according to:

VDE 0604 2-3 EN 50085-2-3  
Underwriter Laboratories

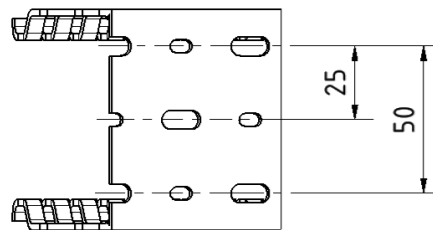
stand: 09.2024

**Dimension:**

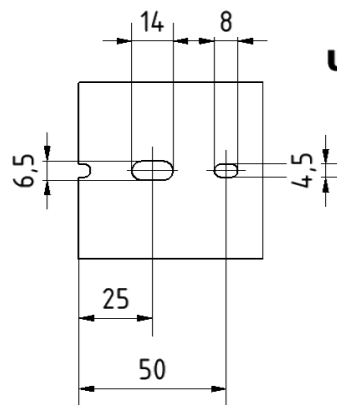
DIN	Height (H) in mm	Width (W) in mm						
		25	37,5	50	75	100	125	150
	25	7610-1						
	37,5	7620-1	7621-1	7622-1				
	50	7630-1	7631-1	7632-1	7633-1	7634-1		
	75	7640-1	7641-1	7642-1	7643-1	7644-1	7645-1	
	100			7647-1	7648-1	7649-1		7646-1



**Width 75 upwards**



**Up to width 50**



RoHS  
konform

Control Panel Trunking DIN